

Instructions

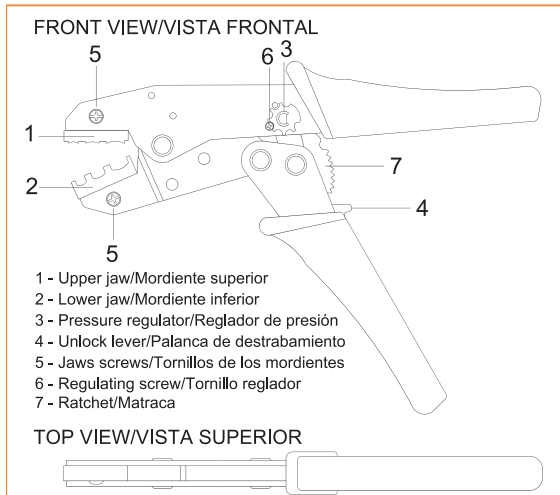
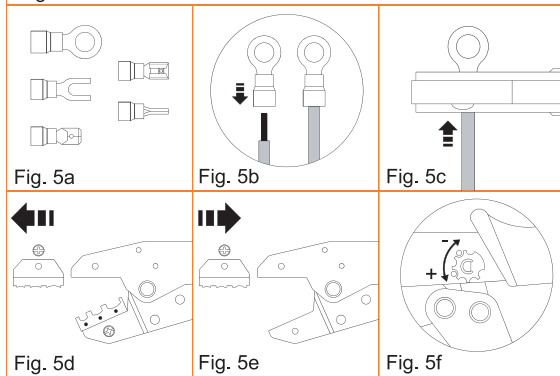


Fig. 5



Instructions for Crimping Pliers - 44055/001

Application:

The crimping pliers is a tool used to fix insulated terminals to electric conductors (wire). Fig 5 shows its main components.

1 - Crimping operation:

- Choose the type and size of terminal to be used according to the proper use and standard of conductor (Fig. 5a).
- Strip the end of the wire to a length less than the terminal isolation (Fig. 5b).
- Fit the stripped end into the socket's terminal (Fig. 5b).
- Put the terminal with wire on the lower jaw of plier (piece 2) following the position showed in the Fig. 5c.
- Press the pliers handle to engage the unlock lever (piece 4).
- Remove the terminal from the pliers.

NOTE1: In case the pliers doesn't open after the crimping operation, press the unlock lever to discharge the ratchet (piece 7).

NOTE2: Crimping pressure and jaws can be changed according to the instruction below.

Change the crimping pressure:

- Remove the regulating screw (piece 6).
- Turn the pressure (piece 3) using a pliers with the thin end. Turn in an anticlockwise direction for higher pressure and in a clockwise direction for less pressure (Fig. 5f).
- Replace the regulating screw, ensuring it is firmly tightened.

Change the jaws:

- Open the crimping pliers completely.
- Remove the jaw screws (piece 5).
- Remove the jaws (pieces 1 and 2 - Fig. 5e).
- Fit the new jaws (Fig. 5e).
- Replace the screws again and tight them a little bit.
- Close the pliers slowly and adjust the position of jaws.
- Tight the screws firmly.
- Open the pliers.